

Battery Power Platform Truck

Please read and save these instructions. Read carefully before attempting to assemble, install, operate or maintain the product described.

Protect yourself and other by observing all safety information. Failure to comply with instructions could result in serious or fatal injury and/or property damage!

Retain instructions for future reference.

Platform Truck

Description

Battery Power Platform Truck series of Electric Elevators are mainly used for goods transition, elevation or piling, or taking off and transiting goods at some certain height on plain and smooth floor. And each unit is equipped with platform, Transmission parts, Pushbutton, support frame and moving frame, casters, and all mounting hardware.

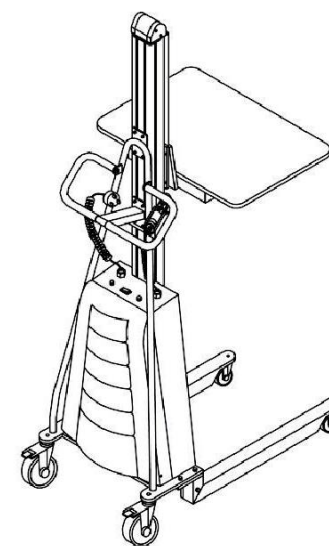
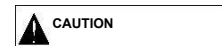


Figure 1



Never exceed the maximum capacity of the battery power platform truck.

1. Use only on plain and smooth floor to ensure stability.
2. Always apply wheel brakes when unit is not being moved.
3. Use caution in moving unit; avoid obstructions and floor defects.
4. Remove load & disconnect power before working on unit.
5. Do not operate unit unless all cover plates are securely in place
6. Don't overload, load must be evenly distributed on deck to ensure stability. Pay special attention when heavily loaded.

Specifications

Model	Load Capacity (kg)	lift (m)	Battery	Net Weight (kg)
E250NS-1		1500		95
E250NS-2	250	1800	2x12V/20Ah	99

7. Consult factory for uneven loading.
8. The working life of the elevator shall be greatly prolonged when working under 0.7 times of the maximum nominal load.
9. Never operate unit unless you are watching it Stand clear from load when operating.
10. Do not continue to press the up-button if deck is not rising.
11. Buzzer beeps to alarm cell low, charge in time or the cell shall be damaged.
12. Ensure that the input voltage of the charger complies with local power net voltage.
13. Not to contact chain or other moving parts.
14. Not to carry out long hours of continuous work under heavy duty, lest troubles from over heated of motor and panel.
15. Consult factory if adding or performing any modifications to the original equipment.
16. Use only maintenance parts supplied or approved by the manufacturer.
17. Make sure all operator safety labels are in place.

Unpacking

Upon receipt, visually inspect for product damage. If damage is evident, notify delivering carrier immediately and file necessary claims.

Battery Power Platform Truck

Operation

Check the following regulations before use

- 1)Structural deformation of frame.
- 2)Proper operation of casters.
- 3)Unusual noise or binding.
- 4)Signs of wear, fatigue or loosening of any moving parts and contact areas.
- 5)Check chain tension and adjust if applicable (see chain tension adjustment section).

▲ WARNING *Over tensioning of the chain and/or injury. can cause potential damage*

- 6)Wear on the chain roller bushings.
- 7)Cover plates being securely in place.

DO NOT use if there are any of the above!

1) RESPONSIBILITIES OF OWNERS/USERS

It is the responsibility of the owner/user for the following:

- 1.1 The unit must be inspected and maintained in accordance with the guidelines in this manual.
- 1.2 Any unit not in safe operating condition must be removed from service until it is returned to proper operating condition. All repairs and maintenance must be performed by qualified personnel.
- 1.3 Unit may only be used by authorized personnel. All operators must have read and understood all operating procedures and safety guidelines in this Owner's Manual.
- 1.4 Operator must ensure that all safety features of the unit are functioning properly before each use.

Loading and Unloading

- 1.Lock caster brake before loading and unloading at any height.
- 2.Take care of load uniformity when load and unload; deflected load is always not appreciated.

- 3.Not to loose equilibrium from one-sided unloading lest dangerous occurrences.
- 4.When it is needed to move the elevator with unfinished unloading, take care of the uniformity of the gods still needed to be unloaded.
- 5.Lower the platform to the lowest position when the loaded elevator is to move, so as to ensure safety.

Operation of lifting and lowering

- 1.Take care to stop at a right spot and ensure enough space when the units to lifting and lowering
- 2.Lock the wheels, and switch power on.
- 3.Press the UP button on the panel, the platform lift smoothly, and then release, the platform keeps still and shall not slip down. The movable hand control panel is convenient for the operator to observe and operate on different positions
- 4.Strictly follow the operation regulations
- 5.When finishing unloading at some height, press the DOWN button for the platform lowering smoothly; and release the button then the platform shall stop lowering.
- 6.The unit is designed to possess the function of overload protection. Whenever the overload 25% or more of rated capacity, running about 10 to 30 minutes, the platform shall not continue to lift, the unit shall not be able to carry out the jobs of lifting and lowering.

Battery Power Platform Truck

Operation

- 1.High performance petty maintenance-free sealed acidic-lead storage battery is selected to power the unit. It is characterized by low discharge ability, safe, easy mounting and change-over, and can be used under the ambient temperature range of -10°C~40°C.
- 2.The working life of the battery is greatly depends on the right use. And the working life shall be greatly shortened when repeatedly used at the condition of low voltage, and even burn the control element. During the unit is operating under low voltage for lifting or lowering, the buzzer shall beep for 50 seconds continuously and then cut off the power supply. The battery shall be charged immediately.

Charger

- 1.High performance charger is provided together with the unit, so that the battery can be charged at any handy power terminal. Be sure the voltage of local power net is as needed by the inlet voltage of the charger.
- 2.When charging with switch off power, connect charger source pin and power terminal socket, the red indicator of source power of the charger is lit up, while the charging status green indicator is lit, that means the battery is in the status of charging; and when the green indicator faded, that means the cell is charged full. Generally, the charging period takes 10~12 hours.

- 3.The charge interval of this unit will vary based on the load and frequency of use. Since the majority of applications require less than the maximum capacity and only intermittent use the actual time between charging will only be found through experience. Also, the batteries should be fully recharged each time. This will increase the battery life.
- 4.When the battery show low voltage status during heavy duty job, probably the battery is damaged or the charger is in trouble.
- 5.Disconnect battery when storing the unit without power for more than one month.
- 6.The charger can be connected for extended periods without damage to the batteries.
- 7.Do not expose the lift or charger to rain or adverse conditions.

Safety Belt

Safety belt is a safety device provided for preventing the transmission chain to break suddenly and that may cause equipment damaging. The device makes the elevator possess the characteristics of safe and reliable.

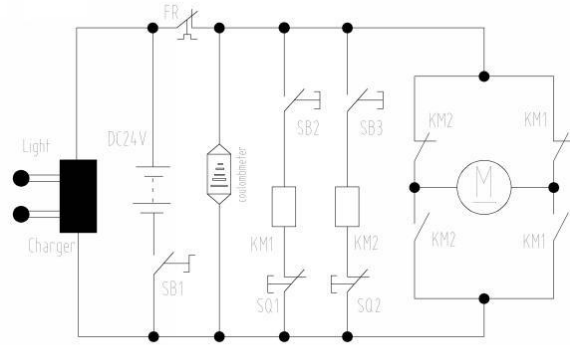
For Repair Parts,

Please provide following information:

- Model number
- Serial number (if any)
- Part description and number as shown in part list

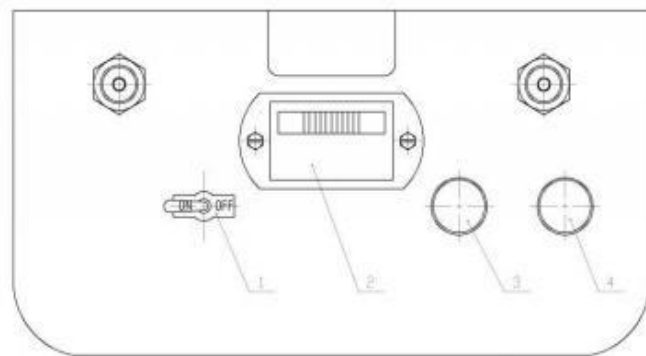
Electrical Diagram

(1) Diagram of Electric Control



FR	Thermal cutoff	KM1	Up Contactor
SB1	Power Supply Switch	KM2	Down Contactor
SB2	Up Limit Switch	SQ1	Up Limit Switch
SB3	Down Limit Switch	SQ2	Down Limit Switch

(1) Sketch Map of Electric Panel

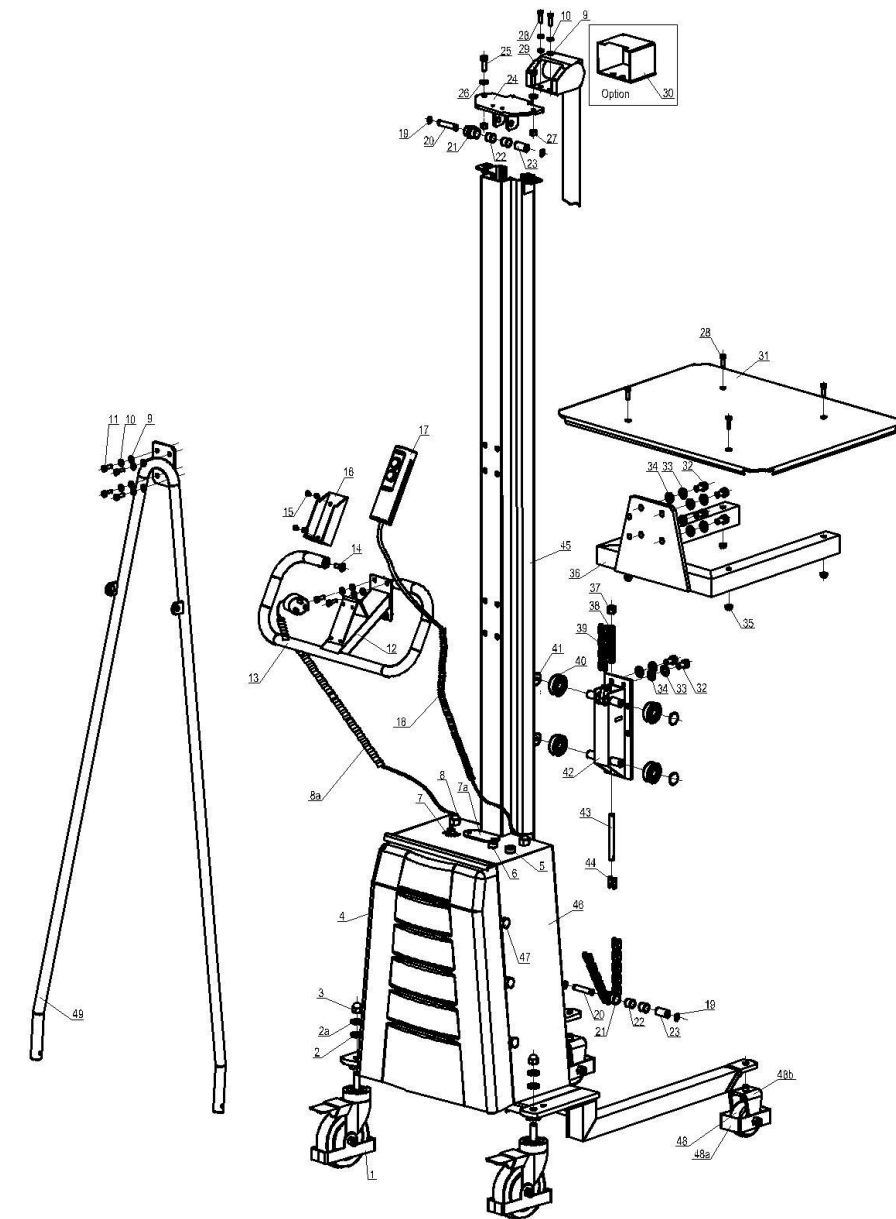


1	Power Supply Switch
2	Electrical Current Indicator
3	Charging Status (charging)
4	Charging Status (charged)

For Repair Parts,

Please provide following information:

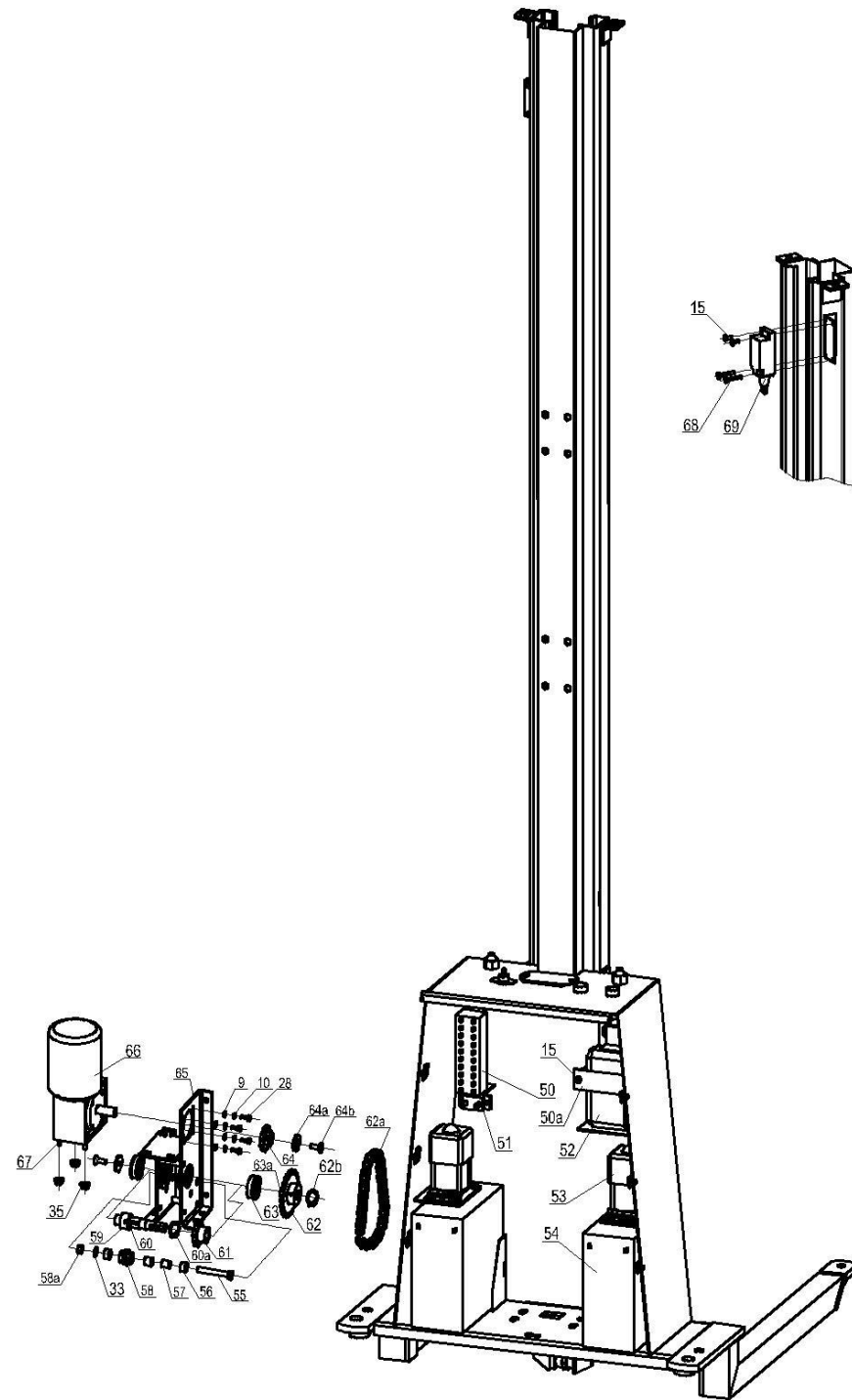
- Model number
- Serial number (if any)
- Part description and number as shown in part list



For Repair Parts,

Please provide following information:

- Model number
- Serial number (if any)
- Part description and number as shown in part list



For Repair Parts,

Please provide following information:

- Model number
- Serial number (if any)
- Part description and number as shown in part list

No#.	Part Description	Q'tity	No#.	Part Description	Q'tity
1	Rear Swivel Castor Unit (5")	2	40	Ball Bearing 6302	4
2	Plain Washer 12	2	41	Limit Shaft	4
2a	Spring Washer 12	2	42	Mounting Seat for Roller,Weld	1
3	HEX DOMED CAP NUT M12	2	43	Bolt,Load Chain End	1
4	Electric Box Cover	1	44	Load Chain Link 08B	6
5	Charging Indicator-Green	1	45	Steel .Mast	1
6	Charging Indicator-Red	1	46	Main Frame,Weld	1
7	Toggle Switch	1	47	Combination screw	6
7a	Battery Indicator	1	48	Front Fixed Castor Unit (3")	2
8	Wire fixing Nut	2	48a	Fender bracket	2
8a	Charger Adjustable Wire & Plug	1	48b	Wheel stand	2
9	Plain Washer 6	17	49	Supporting Handrail,Weld	1
10	Spring Washer 6	17	50	Terminal block	1
11	The countersunk head screw M6X20	8	50a	Fixing Plate for Charger	1
12	Handle,Weld	1	51	Circuit Breaker-Automatic Reset	1
13	PU-Buffer	1	52	Charger 24VDC-2A	1
14	The countersunk head screw M8X20	4	53	Contactoer	2
15	The countersunk head screw M4X10	10	54	Battery -12V20Ah	2
16	Control Handle Seat	1	55	Hex Bolt M10X70	1
17	Control Handle	1	56	Bushing	2
18	Handle Adjustable Wire	1	57	Tube Bushing	1
19	Retaining Ring 10-Shaft	4	58	Load Chain Roller	1
20	Shaft-Load Chain Guide Wheel	2	58a	Nut M10	1
21	Load Chain Guide Wheel	2	59	Transmission Shaft	1
22	Copper Bush15X1	6	60	Flat key 6X6X20	2
23	Spacer Tube	2	60a	Retaining Ring 20-Shaft	1
24	Top Block Cover	1	61	Sprocket Wheel-12teeth	1
25	Socket head Cap Screw M8X25	2	62	Sprocket Wheel-30 teeth	1
26	Plain Washer 8	4	62a	Load Chain 08B	1
27	Hex flange self-locking nut M8	2	62b	Retaining Ring 18-Shaft	1
28	Socket head cap screw M6X16	10	63	Ball Bearing 6204-ZN	2
29	Safety Belt Unit	1	63a	Stopper Screw M5X10	1
30	Protection Steel Cover-Safety Belt	1	64	Sprocket Wheel-11 teeth (11 齿)	1
31	Platform	1	64a	Plain Washer	2
32	Socket head cap screw M10X20	6	64b	The countersunk head screw M6X16	2
33	Spring Washer 10	7	65	Reducer seat	1
34	Plain Washer 10	6	66	Worm Gear Box assembly	1
35	Hex flange self-locking nut M6	7	67	Socket head cap screw M6X25	3
36	Platform Base Fram , Weld	1	68	The countersunk head screw M4X25	4
37	The hexagonal locking nut M10	2	69	Limit Switch	2
38	Load Chain Buffer Spring	1			
39	Load Chain 08B				